

HEIGHT ADJUSTABLE ASSEMBLY INSTRUCTIONS RECTANGULAR DESKS

PowerMode Assembly Instructions

PRIOR TO ASSEMBLY ENSURE ALL GEARS ARE GENTLY WOUND DOWN TO THEIR FULLY CLOSED POSITION

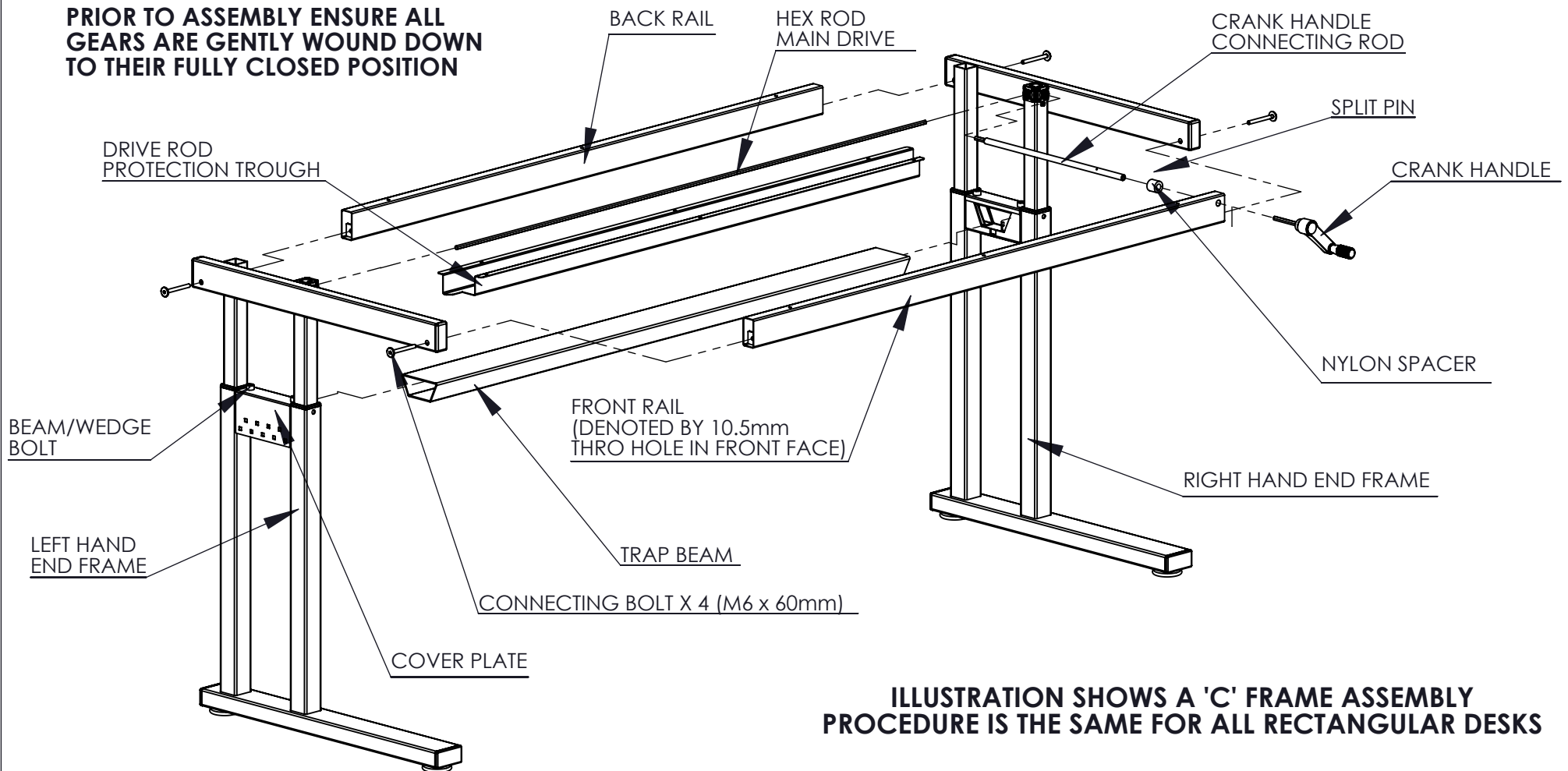


ILLUSTRATION SHOWS A 'C' FRAME ASSEMBLY PROCEDURE IS THE SAME FOR ALL RECTANGULAR DESKS

ASSEMBLY PROCEDURE

- REMOVE PACKAGING FROM ALL COMPONENTS.
- GENTLY INSERT TRAP BEAM INTO L/H END FRAME UNTIL IT MAKES CONTACT WITH INSIDE OF COVER PLATE. FINGER TIGHTEN BEAM/WEDGE BOLT.
- INSERT MAIN DRIVE ROD INTO L/H GEAR.
- TAKE R/H LEG AND SIMULTANEOUSLY INSERT TRAP BEAM AND HEX ROD MAIN DRIVE INTO APPROPRIATE APERTURES. FINGER TIGHTEN BEAM/WEDGE BOLT.
- PRESENT FRONT RAIL AND INSERT M6 x 60mm CONNECTING BOLTS AND FINGER TIGHTEN. REPEAT WITH BACK RAIL.
- INSERT CRANK HANDLE CONNECTING ROD THROUGH FRONT RAIL AND PASS THROUGH NYLON SPACER INTO GEAR.
- INSERT SPLIT PIN THROUGH HOLE IN CRANK HANDLE CONNECTING ROD.
- INSERT HANDLE INTO CRANK HANDLE CONNECTING ROD AND WIND FRAME TO MAX HEIGHT.
- TIGHTEN BEAM/WEDGE BOLT AND ALL FOUR CONNECTING BOLTS.
- PLACE TOP ON FRAME AND SECURE WITH SUITABLE FIXINGS THROUGH HOLES IN FRAME WORK.
- POSITION DRIVE ROD PROTECTION TROUGH AND SECURE WITH SUITABLE FIXINGS.

(NOTE DRIVE ROD PROTECTION TROUGH CAN ONLY BE FITTED IN POSITION WHEN THE FRAME HAS BEEN WOUND UP)