



2011

HeightAdjustableDesks.com

Changing the way we work.



Product Guide Price List

Introduction

Product Guide 2011

Our partnership with specialist UK and International Manufacturers offers a full range of affordable Height Adjustable Desk and Table Solutions.

We present a wide range of Electrical Sit Stand Desks, Winding Handle Tables and Set and Forget Manually Height Adjustable products, plus the option to purchase Desk & Table Frames only, to enable easy self assembly and the fitting of your preferred work surface.

Top Finishes available on most ranges include Wood Grains, Plain Finishes, Laminates and Specialist ESD tops.

Metal Finishes include EPC Silver, Black, Grey, White and on selected ranges Chrome and Aluminium.

We want to make it easy to choose the correct Height Adjustable Desk for you.

To help you decide which desk to purchase - Please consider.

Will you alter the height often?

Who is the product to be used by?

What top shape and size do you need?

Do you need unit Mobility?

If so consider Electrical or Winding Mechanisms.

Consider the height range of the Unit.

A full range is available.

Consider fitting locking castors

All products are grouped by type i.e., Manual, Winding or Electrical Operation and each has a link to the webpage where more product information is available.

Height Adjustable Desks.com strives to ensure excellent product quality and greater value for money than available anywhere else, plus a National and International Delivery service all supported by our fully trained product advisors and customer care team.

We hope that you will find the products you need but if not just call one of our friendly product advisors who will be delighted to assist.

We regret that we do not offer an online purchasing facility as we feel that each transaction requires the personal attention of a product advisor, in order to avoid any errors or misunderstandings and to provide the reassurance that the product selected is correct for you and your application.

All prices are exclusive of vat at the ruling rate. For more information please visit our terms and conditions of sale

Our product range is continually being updated and this product guide is only a representation of the products offered. For more information on any of our products please visit the website.

www.HeightAdjustableDesks.com

Contents

Manual Action Height Adjustable Desks & Tables

Pages 4-6

Winding Handle Height Adjustable Desks

Pages 7-11

Winding Handle Height Adjustable Tables

Pages 12-14

Sit Stand Electrical Height Adjustable Desks & Tables

Pages 15-20

Winding Handle Height Adjustable Frames for Sink & Hob Units

Page 21

Winding Handle Height Adjustable Table & Desk Frames Only

Pages 22-24

Sit Stand Height Adjustable Electrical Table & Desk Frames

Page 25

Manual Height Adjustable Tables

HeightAdjustableDesks.com
Changing the way we work

Affordable Height Adjustability

Manual adjustment provides limited height adjustability when change is not the prime objective. All Frames provide either an Allen key or a Peg fixing system. Often referred to as **Set & Forget** these units allow a desk or table to be fixed at a preferred height.

Also available as Frame Only.

Easy Ergo



Height Range from 620 - 820mm

Allen Key Adjustment
Inner leg height setting indicators
Range of Top Sizes
Also Available as Frame Only
Frames 800mm or 600mm Deep

		Price Excluding Vat
Rectangular Desk	1000 x 800mm	£236.00
Rectangular Desk	1200 x 800mm	£246.00
Rectangular Desk	1400 x 800mm	£256.00
Rectangular Desk	1600 x 800mm	£267.00
Rectangular Desk	1800 x 800mm	£276.00

[Go to Website](#)

VCO 300 400 500



Height Range from 650mm - 870mm

Peg locking system
Made in the UK 5 Year guarantee
Supplied Flat Packed for self assembly
Full range of wood finishes
Full range of 25mm top sizes

		Price Excluding Vat
Rectangular Desk	1000 x 800mm	£295.35
Rectangular Desk	1200 x 800mm	£303.05
Rectangular Desk	1400 x 800mm	£312.10
Rectangular Desk	1600 x 800mm	£326.10
Rectangular Desk	1800 x 800mm	£331.45

VCO400 & VCO500 Prices on Application

[Go to Website](#)

Set2H



Height Range from 605mm - 815mm

British Made 7 Year guarantee
Peg locking system 20mm increments.
Castor Option Available
25mm MFC tops with 3mm high impact resistant
Full range of top sizes from 800 to 2200mm width
600 or 800mm deep

Special Order Only
Prices on Application

Price Excluding Vat

All products available as Wave or Corner Workstations.

Finishes ... Oak, Maple, Beech MFC

Frame Colours Silver Grey

Please note that prices and specifications are subject to change without notification. E&OE

7 Castle Rd, Chelston Business Park, Wellington, Nr Taunton, Somerset. TA21 9JQ

Tel: 08449 670636 Fax: 08449 670642

E mail: info@HeightAdjustableDesks.com

Manual Height Adjustable Desks & Tables

HeightAdjustableDesks.com
Changing the way we work

GSH 1000

[Go to Webpage](#)

Height Range 727mm to 847mm in 20mm Increments

Simple to Assemble . Available with a castor option.

Fully Welded Under frame. Set Height System

Full Range of Top Sizes & Shapes

British Made 10 year Guarantee

Quantity Discounts Apply.

Free Unassembled Delivery. Subject to Terms and Conditions

Rectangular



Sizes Available	Code	Price Excluding Vat
800 x 800mm Complete with MFC Top	G1KR08	£187.75
1000 x 800 as above	G1KR10	£192.95
1200 x 800 as above	G1KR12	£198.15
1400 x 800 as above	G1KR14	£201.85
1600 x 800 as above	G1KR16	£208.50
1800 x 800 as above	G1KR18	£227.80

Wave Style



Sizes Available	Code	Price Excluding Vat
1000 x 800 x 1000mm with MFC Top	G1KW10	£253.00
1200 x 800 x 1000 as above	G1KW12	£259.00
1400 x 800 x 1000 as above	G1KW14	£268.00
1600 x 800 x 1000 as above	G1KW16	£275.00
1800 x 800 x 1000 as above	G1KW18	£304.00

Please specify left or right handing

Double Wave Option Available

Corner Workstations



Sizes Available	Code	Price Excluding Vat
1400 x 800 x 600 x 1200 with MFC Top	G1KC14	£293.00
1600 x 800 x 600 x 1200 as above	G1KC16	£305.00
1800 x 800 x 600 x 1200 as above	G1KC18	£332.00

Please specify left or right handing

Symmetrical Delta Option Available

Finishes Oak , Maple , Beech , Grey , White , Elm , Ash , Walnut

Frame Colours Black or Silver Grey

Please note that prices and specifications are subject to change without notification. E&OE

7 Castle Rd. Chelston Business Park . Wellington . Taunton . Somerset . TA21 9JQ

Tel: 08449 670636 Fax: 08449 670642

E mail: info@HeightAdjustableDesks.com

Height Adjustable Round Table

HeightAdjustableDesks.com
Changing the way we work

VCO

Height Range 720mm to 1130mm

Smooth Gas Height Adjustment

British Made 5 year Guarantee

Quantity Discounts Apply.

[Free Unassembled Delivery - Subject to Terms and Conditions](#)

[Go to Web Page](#)

Circular

Sizes Available

900mm Diameter

1000mm Diameter

1200mm Diameter

Code

VCO09

VCO10

VCO12

Price Excluding Vat

£529.00

£547.00

£583.00



Finishes .. Oak, Maple, Beech, Grey, White, Rose Pear, Cherry and Walnut

Frame Colour Silver Grey

Please note that prices and specifications are subject to change without notification.

7 Castle Rd, Chelston Business Park, Wellington, Taunton, Somerset . TA21 9JQ

Tel: 08449 670636 Fax: 08449 670642

E mail: info@HeightAdjustableDesks.com

Winding Handle

Height Adjustable School Desks

HeightAdjustableDesks.com

Changing the way we work

BMode 2

[More Information](#)

[Go to Webpage](#)

Rectangular



Primary Height Adjustment 460mm - 725mm

Standard Height Adjustment 640mm - 940mm

Single Gear Winding Mechanism.

Removable Front Winding Handle. Also available with Locking Wheels

Full Range of Top Sizes & Finishes. All 25mm MFC Tops.

600 Deep - **600 to 1800 Wide**. All Steel Robust Construction. British Manufactured.

Ideal for Students and School Desks.

Quantity Discounts Apply. [Free Assembled Delivery - Subject to Terms and Conditions](#)

Sizes Available

Depth 600mm

Widths 600, 700, 800, 1000, 1200

Weight Loading 80kgs

Code

BM206/60

BM206/70

BM206/80

BM206/10

BM206/12

Price Excluding Vat

Single Unit £435.00

2 To 5 Units £355.00

6 to 10 Units £299.50

11 to 15 Units £269.50

16 to 20 Units £242.50

21 Units Plus £224.75

Depth 600mm

Widths 1400, 1600, 1800

Weight Loading 80kgs

BM206/14

BM206/16

BM206/18

Single Unit £445.00

2 To 5 Units £365.00

6 to 10 Units £319.50

11 to 15 Units £279.50

16 to 20 Units £252.50

21 Units Plus £234.75

Locking Castors Available.



Removable Winding Handle



Finishes

Oak, Maple, Beech, Grey, White, Elm, Ash, Walnut and Black

Frame Colours Silver RAL 9006, Black, Dark Grey, White

Please note that prices and specifications are subject to change without notification.

7 Castle Road, Chelston Business Park, Wellington, Taunton, Somerset . TA21 9JQ

Tel: 08449 670636 Fax: 08449 670642

E mail: info@HeightAdjustableDesks.com

Winding Handle

Height Adjustable School Desk

HeightAdjustableDesks.com

Changing the way we work

KMF

[More Information](#)

[Go to Webpage](#)

Frame Height Range - 530mm to 830mm. Single Gear Winding Mechanism. Side Winding Action. Colour Height Graduation. Ideal for Students **70KG Lift**. Beech Laminate Top 20mm Bullnosed Polished MDF Edge Detail. Detachable Winding Handle.

Quantity Discounts Apply.

[Free Assembled Delivery - Subject to Terms and Conditions](#)

Rectangular Side Winding



Sizes Available	Code	Price Excluding Vat	
700mm Wide x 600mm Deep	KMF6070	1 to 3 Desks	£227.30
		4 to 10 Desks	£189.00
		11 to 24 Desks	£165.95
		25 and Over	£149.95

Rectangular Side Winding



Sizes Available	Code	Price Excluding Vat	
1200mm Wide x 600mm Deep	KMF1260	1 to 3 Desks	£255.35
		4 to 10 Desks	£199.95
		11 to 24 Desks	£180.95
		25 and Over	£159.95

Tilting Top Side Winding



	Code	Price Excluding Vat	
700mm Wide x 600mm Deep	KMFTT6070		£401.50
1200mm Wide x 600mm Deep	KMFTT1260		£421.50

Available to Special Order

Finish Beech

Frame Colours Silver RAL 9006

Please note that prices and specifications are subject to change without notification. E&OE

7 Castle Rd, Chelston Business Park, Wellington, Taunton. Somerset. TA21 9JQ.

Tel: 08449 670636 Fax: 08449 670642

E mail: info@HeightAdjustableDesks.com

Winding Handle

Height Adjustable Desks

HeightAdjustableDesks.com

Changing the way we work

GSH 2000

[Link to Webpage](#)

Height Range 680mm to 930mm. Single Gear Winding Mechanism.

Fully Welded Frame. Integral Leg Covers

Full Range of Top Sizes, Finishes & Shapes. All 25mm MFC with Cable Ports.

British Made 5 yr Guarantee .

Quantity Discounts Apply. Buy 2 No Desks and Save £100

Free Assembled Delivery - Subject to Terms and Conditions

Rectangular



Sizes Available	Code	Price Excluding Vat
800 x 800mm Complete with MFC Top	G2KR08	£446.40
1000 x 800 as above	G2KR10	£450.50
1200 x 800 as above	G2KR12	£455.25
1400 x 800 as above	G2KR14	£464.10
1600 x 800 as above	G2KR16	£475.65
1800 x 800 as above	G2KR18	£504.90

Wave Style



Sizes Available	Code	Price Excluding Vat
1200 x 800 x 1000mm with MFC Top	G2KW12	£485.85
1400 x 800 x 1000 as above	G2KW14	£492.70
1600 x 800 x 1000 as above	G2KW16	£504.25
1800 x 800 x 1000 as above	G2KW18	£534.85

Please specify left or right handing

Double Wave Option



Sizes Available	Code	Price Excluding Vat
1600 x 800 x 1000 x 1000 with MFC Top	G2DWK16	£504.25
1800 x 800 x 1000 x 1000 as above	G2DWK18	£534.85

Finishes Oak, Maple, Beech, Grey, White, Elm, Ash, Walnut

Frame Colours Black, Silver Grey, Dark Grey, White

Please note that prices and specifications are subject to change without notification. E&OE

7 Castle Road, Chelston Business Park, Wellington, Nr Taunton. Somerset. TA21 9JQ

Tel: 08449 670636 Fax: 08449 670642

E mail: info@HeightAdjustableDesks.com

Winding Handle Mechanism

Height Adjustable Desks

HeightAdjustableDesks.com

Changing the way we work

Zenith

[Go to webpage](#)

Height Range - 700mm to 1115mm.

Single Gear Winding Mechanism.

Expandable Beam 1200mm to 1800mm. 80KG Lift

Full Range of Top Sizes, Finishes & Shapes. All 25mm MFC with Cable Ports.

Danish Design 5 year Guarantee .

Quantity Discounts Apply. Buy 2 Desks and save £100

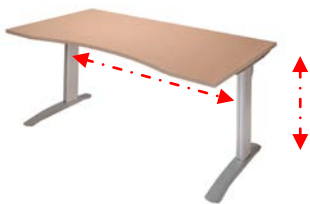
[Free Assembled Delivery - Subject to Terms and Conditions](#)

Rectangular



Sizes Available	Code	Price Excluding Vat
1200 x 800mm c/w MFC Top	ZENR12	£525.00
1400 x 800 as above	ZENR14	£534.75
1600 x 800 as above	ZENR16	£541.95
1800 x 800 as above	ZENR18	£551.25

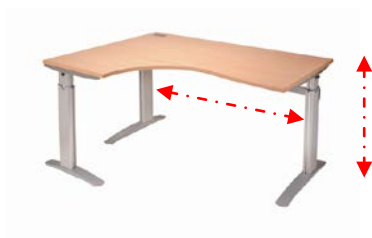
Wave Style



Sizes Available	Code	Price Excluding Vat
1200 x 800 x 1000mm c/w MFC Top	ZENW12	£536.95
1400 x 800 x 1000 as above	ZENW14	£543.95
1600 x 800 x 1000 as above	ZENW16	£550.25
1800 x 800 x 1000 as above	ZENW18	£562.75

Please specify left or right handing

Corner Workstation



Sizes Available	Code	Price Excluding Vat
1600 x 800 x 1200 x 600mm c/w MFC Top	ZENCW16	Prices on Application
1800 x 800 x 1200 x 600 as above	ZENCW18	Prices on Application

Please specify left or right handing

Finishes ... Oak, Maple, Beech, Grey, White, Elm, Ash, Walnut and Black
Frame Colour Anodised Aluminium RAL 9006

Please note that prices and specifications are subject to change without notification.

7 Castle Road, Chelston Business Park, Wellington, Nr Taunton, Somerset. TA21 9JQ

Tel: 08449 670636 Fax: 08449 670642

E mail: info@HeightAdjustableDesks.com

Winding Handle

Height Adjustable Desks

HeightAdjustableDesks.com

Changing the way we work

ADA 2000

Height Range 640mm - 925mm. Single Gear Winding Mechanism.

Available as Side, Front or Top Winding Action

Expandable Beam 2 width options. 70KG Lift

Full Range of Top Sizes & Shapes. All 25mm MFC with Cable Ports.

2 Widths available 800mm -1200mm and 1200mm -1800mm

Quantity Discounts Apply. Buy 2 Desks and save £75.00

Free Assembled Delivery - Subject to Terms and Conditions

[Go to Webpage](#)

Rectangular Side Winding



Sizes Available	Code	Price Excluding Vat
800 x 800mm c/w MFC Top	ADSR08	£390.50
1000 x 800 as above	ADSR10	£396.75
1200 x 800 as above	ADSR12	£405.00
1400 x 800 as above	ADSR14	£411.50
1600 x 800 as above	ADSR16	£419.50
1800 x 800 as above	ADSR18	£427.50

Sizes Available	Code	Price Excluding Vat
1200 x 800 x 600mm c/w MFC Top	ADSW12	£432.50
1400 x 800 x 600 as above	ADSW14	£440.50
1600 x 800 x 600 as above	ADSW16	£454.00

Please specify left or right handing

Please contact us for details

Wave Style Side Winding



Also available as Frame Only

[See Website for details](#)

Finishes Oak, Maple, Beech, Grey, White, Elm, Ash, Walnut and Black

Frame Colours Silver RAL 9006

Please note that prices and specifications are subject to change without notification.

7 Castle Road, Chelston Business Park, Wellington, Taunton, Somerset. TA21 9JQ

Tel: 08449 670636 Fax: 08449 670642

E mail: info@HeightAdjustableDesks.com

Group, Dining , Meeting.

Height Adjustable Tables

HeightAdjustableDesks.com

Changing the way we work

Modal Meeting

[For More Information](#)

[Go to Webpage](#)

2 Height Ranges of **460mm to 725** or **640mm to 940mm**.

Choice of Top and Frame Finishes. **Grey Black Silver & White**

Dining Tables, Meeting Tables, Therapy Tables and Group Tables

[Quantity Discounts Apply - Call or E mail for details](#)

Rectangular Table



Sizes Available	Code	Price Excluding Vat
800 x 800 Complete with 18mm top	MGR08	£515.00
1000 x 800	MGR10	£522.00
1200 x 800	MGR12	£531.00
1400 x 800	MGR14	£539.50
1600 x 800	MGR16	£551.75
1800 x 800	MGR18	£563.95

D End Conference Table



Sizes Available	Code	Price Excluding Vat
1800 x 900mm c/w 18mm Top	MGD18	£585.00
2000 x 900	MGD20	£625.00
Locking Brake Castors Available	BRWH	£ 25.00

Options



Cover Plates for Legs Including Wipe in Cable Management – pair	LGPL	£ 24.75
--------------------------------------------------------------------	------	---------

25mm Tops at Additional Cost

Finishes .. Oak, Maple, Beech, Grey, White, Elm, Ash, Walnut and Black

Frame Colours Black , Silver Grey , Dark Grey , White

Please note that prices and specifications are subject to change without notification.

7 Castle Road, Chelston Business Park, Wellington, Nr Taunton. Somerset. TA21 9JQ

Tel: 08449 670636 Fax: 08449 670642

E mail: info@HeightAdjustableDesks.com

Ropox Ergo ST Tables

HeightAdjustableDesks.com
Changing the way we work

Ropox Tables

[Link - For more information
go to Webpage](#)



Height Ranges of 480 to 680mm, 560 to 840mm and 640 to 920mm with the options of a full tilt top, centre tilting top and left or right tilt
Manufactured in Denmark by Ropox, the Ergotable ST is available in 3 Height Adjustments and with the option of a **Boomerang** system, which is an additional top section at 300mm deep with cut-out, this is available on Non Tilting and Tilting Top Tables.
Additional components include Brake Wheels, Edge Bars, built in Steel Plates with Magnets

Non Tilting	Code	Price Excluding Vat
900 x 600mm c/w Beech Laminate Top	ERG9060	£798.00
1200 x 600mm c/w Beech Laminate Top	ERG12060	£926.00
900 x 900mm c/w Beech Laminate Top	ERG9090	£921.00
400mm Boomerang Plate for 900 x 600	BM9060	£350.00
400mm Boomerang Plate for 1200 x 600	BM12060	£395.00
400mm Boomerang Plate for 900 x 900	BM9090	£374.00

Full & Centre Tilt	Code	Price Excluding Vat
900 x 600 Full Tilt Top	ERG96T	£817.00
1200 x 600 Full Tilt Top	ERG126T	£947.00
900 x 900 Full Tilt Top	ERG99T	£942.00
900 x 600 Centre Tilt Top	ERG96C	£842.00
1200 x 600 Centre Tilt Top	ERG126C	£947.00

Left or Right Tilt	Code	Price Excluding Vat
900 x 600 Left or Right Tilt	ERGLR96	£829.00
1200 X 600 Left or Right Tilt	ERGLR126	£947.00

Top Finish Beech Laminate

Frame Colour White

Please note that prices and specifications are subject to change without notification.

7 Castle Road, Chelston Business Park, Wellington, Nr Taunton, Somerset. TA21 9JQ

Tel: 08449 670636 Fax: 08449 670642

E mail: info@HeightAdjustableDesks.com

Ropox Group Activity

Height Adjustable Tables

HeightAdjustableDesks.com

Changing the way we work

Ropox Tables

[Link - For more information go to Webpage](#)

Two Height Settings - 560mm - 840mm and 640mm - 920mm.

Circular Table Height Range **640mm to 800mm**.

Manufactured in Denmark by Ropox.

Available in two height ranges and three top shapes.

The table tops are surfaced with a matt and non-reflective beech laminate finish.

The frame is white EPC and requires minimum maintenance.

Brake Wheels are also available for the tables.

Rectangular Table



Sizes Available	Code	Price Excluding Vat
1650 x 900mm c/w Laminate Top	165/90	£1265.00
2000 x 1000 as above	200/100	£1310.00

Oval Table



Sizes Available	Code	Price Excluding Vat
2400 x 1100 c/w Laminate Top	240/110	£1385.00

Circular Table



Sizes Available	Code	Price Excluding Vat
1000mm dia. c/w Laminate Top	100C	£1040.00
1200mm dia. as above	120C	£1050.00

Top Finish .. Beech Laminate

Frame Colour .. White

Please note that prices and specifications are subject to change without notification.

7 Castle Road, Chelston Business Park, Wellington, Nr Taunton, Somerset. TA21 9JQ

Tel: 08449 670636 Fax: 08449 670642

E mail: info@HeightAdjustableDesks.com

Electrical Sit to Stand

Height Adjustable Desks

HeightAdjustableDesks.com

Changing the way we work

GSH 3000

Height Range 630mm to 1290mm

Twin Linak DL6 Actuator. High Speed 38mm per second .

Smooth & Quiet. Optional Memory Control available .

Full Range of Top Sizes & Shapes . All in Melamine Faced Chipboard MFC

British Manufactured - 3 year Guarantee (moving parts) 10 year Structural

Quantity Discounts Apply. **Buy 2 Units and save £100 on your purchase**

Free Assembled Delivery. Subject to Terms and Conditions

[Go to Webpage](#)

Rectangular



Sizes Available	Code	Price Excluding Vat
800 x 800mm Complete with MFC Top	G3KR08	£580.45
1000 x 800 as above	G3KR10	£602.90
1200 x 800 as above	G3KR12	£618.55
1400 x 800 as above	G3KR14	£654.60
1600 x 800 as above	G3KR16	£670.30
1800 x 800 as above	G3KR18	£685.25

Wave Style



Sizes Available	Code	Price Excluding Vat
1400 x 800mm Complete with MFC Top	G3KW14	£667.55
1600 x 800 as above	G3KW16	£683.90
1800 x 800 as above	G3KW18	£698.90

Please specify left or right handing

Double Wave Option Available

Corner Workstation



Sizes Available	Code	Price Excluding Vat
1400 x 1200mm Complete with MFC Top	G3KC14	£963.60
1600 x 1200 as above	G3KC16	£979.25
1800 x 1200 as above	G3KC18	£994.90

Please specify left or right handing

Symmetrical Delta Option Available

Finishes ... Oak, Maple, Beech , Grey, White, Elm, Ash, Walnut

Frame Colours Black or Silver Grey

Please note that prices and specifications are subject to change without notification.

7 Castle Rd, Chelston Business Park , Wellington, Nr Taunton, Somerset . TA21 9JQ

Tel: 08449 670636 Fax: 08449 670642

E mail: info@HeightAdjustableDesks.com

Electrical Sit to Stand

Height Adjustable Tables

HeightAdjustableDesks.com

Changing the way we work

ConSet

Affordable Height Adjustability

Designed in Denmark the Conset range of electrically controlled height adjustable desks and tables offers a full complement of styles and finishes to suit all budgets from light weight mobile units to heavy duty commercial grade work platforms. For more information on the entire range [download the brochure and full price list Here.](#)

All Conset Desks are supplied fully assembled and delivered [Free Subject to Delivery Terms and Conditions.](#)

501 -17



Also available as Frame Only.

Price Excluding Vat

Height Range 660mm -1180mm

Simple Design complete with integral castors and drop down cable tray. Prices include Melamine Top.

The 501-17 offers two frame sizes
Full range of top sizes styles and finishes.
Frame Lifting capacity 80KGs

Rectangular Desk	1000 x 800mm	£458.00
Rectangular Desk	1200 x 800mm	£458.00
Rectangular Desk	1400 x 800mm	£470.00
Rectangular Desk	1600 x 800mm	£487.00
Rectangular Desk	1800 x 800mm	£504.00

[For more Options download full price list](#)

501 -11



Height Range 630mm -1200mm

With a frame capacity of 150KG the 501-11 offers reliability and flexibility at an affordable price. Prices include Melamine Top.

Available in Black or Silver
Available from 1200mm to 2000mm.
Also available as a Delta or corner workstation

Price Excluding Vat		
Rectangular Desk	1200 x 800mm	£636.00
Rectangular Desk	1400 x 800mm	£648.00
Rectangular Desk	1600 x 800mm	£667.00
Rectangular Desk	1800 x 800mm	£683.00
Rectangular Desk	2000 x 800mm	£698.00

[For more Options download full price list](#)

501-27



Height Range 540mm to 1190mm

Brand New to the UK the 501-27 offers 600mm or 800mm deep top capability
Frame Widths Available 840mm, 1330mm and 1520
Includes an integral safety stop
125KG lift capacity. Prices include Melamine Top.

Speed 32mm per second

Price Excluding Vat		
Rectangular Desk	1000 x 800mm	£540.00
Rectangular Desk	1200 x 800mm	£540.00
Rectangular Desk	1400 x 800mm	£552.00
Rectangular Desk	1600 x 800mm	£562.00

[For more Options download full price list](#)

All products available as Wave or Corner Workstations.

Finishes ... Oak, Maple, Beech MFC or Veneer

Frame Colours Black or Silver Grey dependent upon product

Prices subject to change without notification

7 Castle Rd, Chelston Business Park , Wellington, Nr Taunton, Somerset . TA21 9JQ

Tel: 08449 670636 Fax: 08449 670642

E mail: info@HeightAdjustableDesks.com

Electrical Sit to Stand

Height Adjustable Tables

HeightAdjustableDesks.com

Changing the way we work

ConSet



All prices and products shown are only a small example of the ranges available. Please download the full catalogue and price list for more detailed specifications and options.

501 -7



Height Range - 680mm to 1200mm
Frame Lifting Capacity - 70kg
Frame Colour - Silver and Black
Special tops and shapes
Integral Castors for true mobility
Prices include Melamine Top.

Price Excluding Vat

Scooped Top Desk 1000 x 1000 £357.00

[For more Options download full price list](#)

501 -19



Height Range - 660mm to 1180mm
Frame Lifting Capacity - 100kg
Frame Colour - Silver Outer Case with Black Inner
Low noise motor and exceptional reliability
6 Levellers
Prices include Melamine Top.

Price Excluding Vat

Rectangular Desk	600 x 600mm	£474.00
Rectangular Desk	800 x 800mm	£486.00
Rectangular Desk	1000 x 600mm	£500.00
Rectangular Desk	1000 x 800mm	£514.00

[For more Options download full price list](#)

501-23



Heavy Duty

Height Range - 660mm to 1180mm
Can be used as a desk or table frame
Corner Desk and Wave options available
Frame Lifting Capacity - 200 kg
Frame Finish Silver
Prices include Melamine Top

Price Excluding Vat

Rectangular Desk	1400 x 800mm	£878.00
Rectangular Desk	1600 x 800mm	£888.00
Rectangular Desk	2000 x 1100mm	£957.00

[For more Options download full price list](#)

Finishes ... Oak, Maple, Beech MFC or Veneer

Frame Colours Black or Silver Grey

Please note that prices and specifications are subject to change without notification.

7 Castle Rd, Chelston Business Park, Wellington, Nr Taunton, Somerset. TA21 9JQ

Tel: 08449 670636 Fax: 08449 670642

E mail: info@HeightAdjustableDesks.com

Electrical Sit to Stand

Height Adjustable Table

HeightAdjustableDesks.com

Changing the way we work

Meteor

[Go to Webpage](#)

Swedish Design & Manufacture.

Height Range - 700mm to 1200mm including 25mm Top

Linak DL7 Actuator System -. Smooth & Reliable. Max Load 150 KG

Stroke Length 500mm

Speed 38mm per sec.

Expandable Beam System 1000mm to 2000mm Wide.

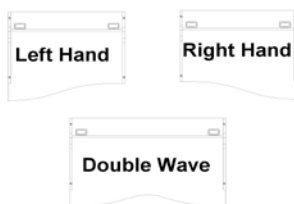
Free Assembled Delivery - Subject to Terms & Conditions

Rectangular



Sizes Available	Code	Price Excluding Vat
1000 x 800 Complete with MFC Top	MED10	£645.00
1200 x 800	MED12	£652.30
1400 x 800	MED14	£660.00
1600 x 800	MED16	£669.00
1800 x 800	MED18	£677.00

Wave Style



Sizes Available	Code	Price Excluding Vat
1400 x 1000 x 800 with MFC Top	MEDW14	£695.95
1600 x 1000 x 800	MEDW16	£709.95
1800 x 1000 x 800	MEDW18	£724.50

Please specify left or right handing

Corner Workstations



Sizes Available	Code	Price Excluding Vat
1600 x 1200 x 800 x 600 with MFC Top	MEDC16	£775.00
1800 x 1200 x 800 x 600	MEDC18	£789.95

Please specify left or right handing

Finishes Oak, Maple, Beech, Grey, White, Elm, Ash, Walnut and Black

Frame Colour - Silver Grey

Please note that prices and specifications are subject to change without notification.

7 Castle Road, Chelston Business Park, Wellington, Nr Taunton. Somerset. TA21 9JQ

Tel: 08449 670636 Fax: 08449 670642

E mail: info@HeightAdjustableDesks.com

Electrical Sit Stand

Height Adjustable Desks

HeightAdjustableDesks.com

Changing the way we work

Zenith

[Go to Webpage](#)

Height Range 700mm to 1115mm - 2 Part Actuation

Integral Leg Covers. Smooth Quiet Operation - 29mm per sec

Expandable Beam 1200mm to 1800mm. 80KG Lift

Full Range of Top Sizes & Shapes. All 25mm MFC with Cable Ports.

Danish Design 2 year Guarantee .

Quantity Discounts Apply.

[Free Assembled Delivery - Subject to Terms and Conditions](#)

Rectangular



Sizes Available	Code	Price Excluding Vat
1200 x 800 Complete with MFC Top	ZENER12	£609.50
1400 x 800	ZENER14	£617.90
1600 x 800	ZENRE16	£623.75
1800 x 800	ZENER18	£629.95

Wave Style



Sizes Available	Code	Price Excluding Vat
1400 x 800 x 1000 with MFC Top	ZENEW14	£625.95
1600 x 800 x 1000	ZENEW16	£633.50
1800 x 800 x 1000	ZENEW18	£641.50

Please specify left or right handing

Corner Workstations



Sizes Available	Code	Price Excluding Vat
1600 x 800 x 1200 x 600 with MFC Top	ZENEC16	Prices on Application
1800 x 800 x 1200 x 600	ZENEC18	Prices on Application

Finishes Oak, Maple, Beech, Grey, White, Elm, Ash, Walnut and Black

Frame Colours Anodised Aluminium RAL 9006

Please note that prices and specifications are subject to change without notification.

7 Castle Road, Chelston Business Park, Wellington, Nr Taunton, Somerset. TA21 9JQ

Tel: 08449 670636 Fax: 08449 670642

E mail: info@HeightAdjustableDesks.com

ESD Workbenches Winding and Electrically Operated

Height Adjustable Tables

HeightAdjustableDesks.com
Changing the way we work

ESD Workbench

[More Information ?](#)
[Link to Webpage Here](#)

Manufactured in Finland
ESD –26mm Electrical Static Discharge HD Laminate ESD Worktops
Height Range 700mm to 1100mm.
Frame Light Grey RAL 7035.
200 kg Lifting Capacity.
Tilting Top 100 kg Lift. Cable Tidy Included.
[Free Assembled Delivery - Subject to Terms and Conditions](#)

ESD Retractable Handle

Sizes Available	Code	Price Excluding Vat
1073 x 800mm c/w Laminate Top	ESDH1073	£1030.00
1500 X 800 as above	ESDH1500	£1065.00
1800 x 800 as above	ESDH1800	£1130.00

Front Winding Handle

Heavy Duty



ESD Electrical Adjustment

Sizes Available	Code	Price Excluding Vat
1073 x 800mm c/w Laminate Top	ESDE1073	£1465.00
1500 x 800 as above	ESDE1500	£1499.00
1800 x 800 as above	ESDTE800	£1599.00

Electrical Operation



ESD Tilting Top

Sizes Available	Code	Price Excluding Vat
1073 x 800mm c/w Tilting Top	ESDT1073	Price on Application
1500 x 800 as above	ESDT1500	
1800 x 800 as above	ESDT1800	

Available as Winding or Electrical



Finishes ... Grey HD Laminate Top Frame Colour Light Grey RAL 7035

Please note that prices and specifications are subject to change without notification.

7 Castle Road, Chelston Business Park, Wellington, Taunton, Somerset . TA21 9JQ

Tel: 08449 670636 Fax: 08449 670642

E mail: info@HeightAdjustableDesks.com

Height Adjustable Desk & Table Frames

HeightAdjustableDesks.com
Changing the way we work

Winding Handle

Fit Your Own Top!

Height Adjustment 460mm to 725mm **640mm to 940mm**

MechMode Sink & Hob FS



Description	Code	Price Excluding Vat
Specifically designed to accept Sinks or Hobs this variation is built to the same exacting standard as the MechMode Standard Frame and is available as Floor or Wall Mounted.	SHFS0818	£385.50
Provides 300mm of stepless adjustment. British Manufacture.	2 to 5 Frames	£365.00
	6 to 10 Frames	£315.00
More Information		
Link to Webpage.		

MechMode Sink & Hob Wall



Description	Code	Price Excluding Vat
Specifically designed to accept Sinks or Hobs this variation is built to the same exacting standard as the MechMode Standard Frame and is available as Floor or Wall Mounted.	SHWall0818	£385.50
Provides 300mm of stepless adjustment. British Manufacture.	2 to 5 Frames	£365.00
	6 to 10 Frames	£315.00
More Information		
Link to Webpage		

MechMode Desk Frame



Description	Code	Price Excluding Vat
MechMode is a unique range of Height Adjustable Table Frames and Desk under frames. Designed and manufactured in the UK, the under frames provide 300mm of stepless adjustment	MMR0818	£380.50
More Information	2 to 5 Frames	£360.00
Link to Webpage	6 to 10 Frames	£310.00

Corner Desk & Symmetrical Delta Frames Also Available

MechMode Table Frame



Description	Code	Price Excluding Vat
Built to the same high manufacturing process as the MechMode Standard Frame. This 'T' Frame unit is ideal for creating Group Discussion Tables and Height Adjustable Meeting Facilities.	MMT0818	£380.50
More Information	2 to 5 Frames	£360.00
Link to Webpage	6 to 10 Frames	£310.00

[All Prices Include Free Unassembled Delivery. Subject to Delivery Terms & Conditions.](#) E&OE

All Products Complete With Self Assembly Instructions. No Tools Provided.

7 Castle Road, Chelston Business Park, Wellington, Taunton, Somerset . TA21 9JQ

Tel: 08449 670636 Fax: 08449 670642

E mail: info@HeightAdjustableDesks.com

Height Adjustable Desk & Table Frames

HeightAdjustableDesks.com
Changing the way we work

All Prices Include Free Unassembled Delivery - [Subject to Delivery Terms & Conditions.](#)

All Products Complete With Self Assembly Instructions. **No Tools Provided Unless Stated.**

BasicMode



Description

Lightweight Height Adjustable Desk Frame.
Constructed from box section steel.
Height Range Primary - 460mm - 725mm
Height Range Standard - 640mm to 940mm
Depth 600mm
Widths 600, 700, 800, 1000, 1200, 1400, 1600
Weight Loading 80kgs
Removable Winding Handle. **Left or Right Hand**
Finish Silver, White, Dark Grey or Black

Code

BMF0618

Price Excluding Vat

£239.95

3 to 5 Frames

£219.95

6 to 10 Frames

£199.95

BudgetMode



Description

Height from 640mm - 940mm.
Constructed from Box Section Steel
Modesty Panels are required for Frame Assembly but not supplied.
Depths available for Rectangular Frame 600mm, 700mm, 750mm and 800mm
Widths available for Rectangular Frame as 800mm, 1000mm, 1200mm, 1400mm, 1600mm and 1800 mm
Removable Winding Handle
Corner Frame available

Code

BGMFI0818

Price Excluding Vat

£252.50

3 to 5 Frames

£223.50

6 to 10 Frames

£203.00

ADA2000FR



Description

Height Range 670mm -970mm
EPC Paint finish Silver
Clear easy to follow instructions
All Fixing Tools included
Kit A Top Size 800mm - 1200mm 600/800
Kit B Top Size 1200mm - 1800mm 600/800
Side or Top Winding Mechanism

Code

ADA2K

Price Excluding Vat

£281.50

6 Plus Units

£225.00

12 Plus Units

£195.00

24 Plus Units

£158.00

48 Plus Units

£144.30

7 Castle Road, Chelston Business Park, Wellington, Nr Taunton, Somerset. TA21 9JQ

Tel: 08449 670636 Fax: 08449 670642

E mail: info@HeightAdjustableDesks.com

Winding Handle

Height Adjustable Desk Frames

HeightAdjustableDesks.com

Changing the way we work

Zenith

Frame Only

Height Range - 700mm to 1115mm.

[Go to webpage](#)

Single Gear Winding Mechanism.

Integral Leg Covers - Retractable Handle. Affordable Styling.

Expandable Beam 1180mm to 1700mm.

Can be used to create Rectangular or Wave Workstations

Corner Workstation option available ask for details.

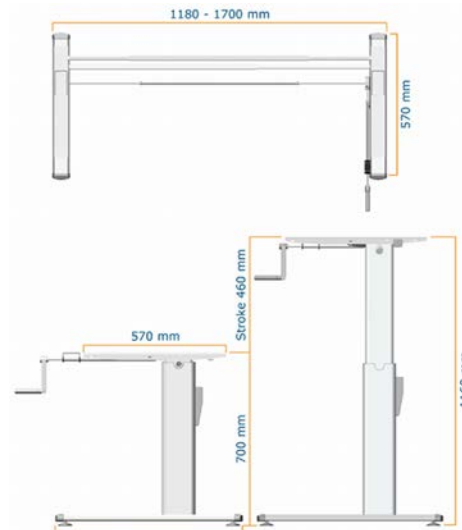
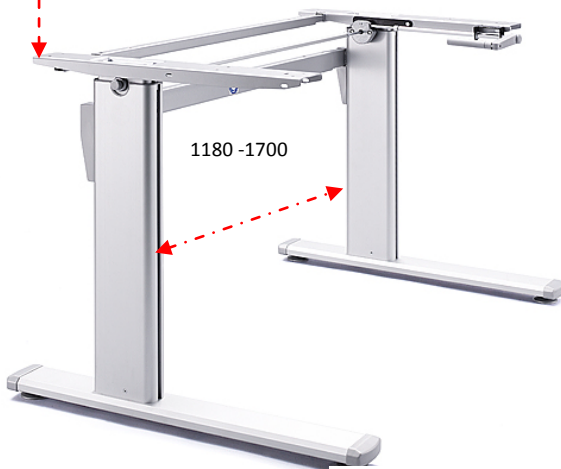
80KG Lift

Danish Design 5 year Guarantee. [Also available as Electrical operation.](#)

1180mm - 1700mm



700mm - 1160mm



Despatched by Courier

All tools and fittings included

Price Excluding Vat E&OE

Single Frame £310.00

2- 5 Frames £271.75

6-15 Frames £254.50

Frame Colour Anodised Aluminium RAL 9006

Please note that prices and specifications are subject to change without notification.

7 Castle Road, Chelston Business Park, Wellington, Nr Taunton, Somerset . TA21 9JQ

Tel: 08449 670636 Fax: 08449 670642

E mail: info@HeightAdjustableDesks.com

Winding Handle

Height Adjustable Table Frames

HeightAdjustableDesks.com

Changing the way we work

Eco Table

Frame Only

Height Range 680mm to 1090mm.

Single Gear Winding Mechanism.

Integral Leg Covers. Retractable Handle. Affordable Styling.

Expandable Beam 800mm to 1200mm.

Can be used to create Rectangular Mobile Tables of 600 to 800mm deep.

2 No. Locking Castors and 2 Standard Castors included

80KG Lift

Danish Design 5 year Guarantee . Supplied flat packed for easy self assembly

[Go to Webpage](#)



Despatched by Courier

All tools and fittings included

Price Excluding Vat E&OE

Single Frame £258.00

Quantity Discounts Apply

Frame Colour Anodised Aluminium RAL 9006

Please note that prices and specifications are subject to change without notification.

7 Castle Road, Chelston Business Park, Wellington, Nr Taunton, Somerset . TA21 9JQ

Tel: 08449 670636 Fax: 08449 670642

E mail: info@HeightAdjustableDesks.com

Height Adjustable Desk & Table

Electrical Self Assembly Frames

HeightAdjustableDesks.com
Changing the way we work

Fit Your Own Top!

PowerMode Plus



Description

Height Adjustment 660mm to 1335mm
Linak DL6 Twin Actuators
Size 1 1000mm to 1200mm Wide
Size 2 1400mm to 1800mm Wide
140KG Lift Capacity
600mm or 800mm Depth
Can be used for Sinks and Hobs

[More Information](#)

[Link to Webpage.](#)

Code

PMP1018

Price Excluding Vat

£522.75

2 to 5 Frames

£485.00

6 to 10 Frames

£459.95

PowerMode



Description

Height Range 1 640mm to 940mm
Height Range 2 460mm to 725mm
Can be used for Sinks and Hobs
Rectangular Widths 800mm to 1800
Rectangular Depth 600mm or 700mm .
Also available as radial or wall mounted
100KG Lift Capacity

[More Information](#)

[Link to Webpage](#)

Code

PM0818

Price Excluding Vat

£672.50

2 to 5 Frames

£630.75

6 to 10 Frames

£587.25

Meteor



Description

Height Range 700mm to 1200mm
Solid Steel Construction
Twin Linak DL9 Actuators
Expanding Beam 1000mm to 2000mm
Depth 600mm to 1200mm
150KG Lift Capacity

[More Information](#)

[Link to Webpage](#)

Code

MET1020

Price Excluding Vat

£520.00

2 to 5 Frames

£479.00

6 to 10 Frames

£441.00

Zenith



Description

Height Range 680mm to 1115mm
2 Part Actuator 570mm Top Frame
Expanding Beam System 1200mm to 1800mm
80KG Lift Capacity
Silver Anodised Finish

[More Information](#)

[Link to Webpage](#)

Code

ZENF1218

Price Excluding Vat

£445.50

2 to 5 Frames

£399.50

6 to 10 Frames

£379.50

16 to 20 Frames

£349.50

All Prices Include Free Unassembled Delivery. [Subject to Delivery Terms & Condition.](#)

All Products Complete with Self Assembly Instructions. No Tools Provided.

7 Castle Road, Chelston Business Park, Wellington, Taunton, Somerset . TA21 9JQ

Tel: 08449 670636 Fax: 08449 670642

E mail: info@HeightAdjustableDesks.com

Important Information

Whilst every effort has been made to ensure the accuracy and validity of this product guide and price list. We cannot accept any liability for any errors or omissions how so ever caused.

All prices featured are net cost. Vat is applicable at the current rate.

All products are delivered free subject to our delivery terms and conditions. [Please refer to our website for more information.](#)

Due to a policy of continuing product development, we reserve the right to change details or discontinue products without prior notification.

HeightAdjustableDesks.com is committed to quality throughout the order and despatch process. All items are inspected for faults by the relevant manufacturer prior to despatch and should give satisfaction when used for the purpose for which it was designed and intended.

In the event of product component failure or damage we will replace at no charge any faulty component. Provided that the fault occurs within the published guarantee period for the product and the product has been used for the purpose for which it was designed and used in accordance with manufacturer's recommendations.

In the rare event that the fault cannot be rectified a full refund will be offered.

All dimensions are in millimetres unless otherwise stated.

Where applicable conformity and test certificates in support of the product's are available upon request.

We offer free telephone advice on product suitability. Please discuss your requirements with one of our product advisors.

Due to the diverse specification of our products, we do not offer an online purchasing facility. We need to be confident that you are purchasing the most appropriate product for your purpose and prefer to engage in a brief outline discussion with all final instructions provided in writing.

This policy ensures quality and customer satisfaction and reduces to a minimum the opportunity for errors and misunderstandings.

Please note: All product's are manufactured to order and cannot be cancelled without incurring cancellation charges. We apologise but we do not offer trial periods on any of our products.

HeightAdjustableDesks.com
7 Castle Rd
Chelston Business Park
Wellington Somerset
TA1 9JQ