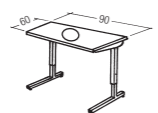
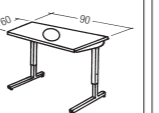
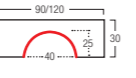




10-29410


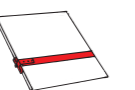
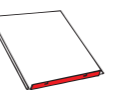
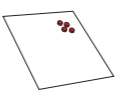
AQUA ADL TABLE			ACCESSORIES	
Height			Additional top with boomerang Ø 40 cm	
57-77 cm	10-29310	10-29410		
65-93 cm	10-29320	10-29420	10-29360	90 cm
73-101 cm	10-29330	10-29430	10-29460	120 cm

### AQUA ADL TABLE

Aqua ADL table is a mobile ergotable for Aided Daily Living training. Aqua ADL table is available in three heights, brake wheels included. The tabletop is available in measurements of 90x60 cm and 120x60 cm in laminated beech wood and with a cut-out for the accompanying stainless wash basin Ø 32 cm. A covering top for the cut-out is included. As an accessory equipment an additional top with boomerang Ø 40 cm is available.



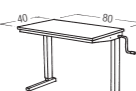

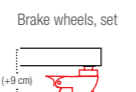



20-54000/20-50060/20-50146

READING STAND ST	ACCESSORIES		
			
20-54000	20-50060	20-50146	20-50204

### READING STAND ST

The Reading stand ST is suitable for weak-sighted persons and persons suffering from neck or back complications. The Reading stand ST 60x60 cm is surfaced with a mat non-reflecting laminate in beech finish. It has a tilt function from 10°-72°.

MINI TABLE ST					ACCESSORIES	
Height						
56-84 cm	20-19510	20-19511	20-19620	20-19621	20-50300	20-50176



20-19511

### MINI TABLE ST

The Mini table ST 80x40 cm is especially suitable in therapeutical situations where the therapist works close to the patient. The table is infinitely adjustable in height by means of tightening screws or by a detachable handle.

# ROPOX

BETTER WAYS TO BETTER DAYS



10-29020



10-29020/20-30527

MULTI ERGOTABLE		BOOMERANG	
Height		Size	
57-77 cm	10-29010	Ø 22 cm	20-30521
65-93 cm	10-29020	Ø 26 cm	20-30522
73-101 cm	10-29030	Ø 30 cm	20-30523
		Ø 34 cm	20-30524
		Ø 40 cm	20-30525
		Ø 46 cm	20-30526
		Moon-shaped	20-30527

### MULTI ERGOTABLE

To obtain optimum results of rehabilitation proper working postures for user and therapist/helper are decisive. The Multi Ergotable is a height-adjustable working table with cut-outs in the front and back of the tabletop. The tabletop has cut off corners at the front. The two cutouts provide support for body and forearms. The working table is ideal for training situations where the user and therapist are sitting close together opposite to each other. Also wheelchair users may come close to the table, as it has no inconvenient braces. Because of the placing of the legs the table can also come close to the bed or couch. In training situations when the user and therapist are sitting close together on the same side of the table the cut-out provides support and the cut off corners provide more space for the therapist sitting beside the user.

The standard version of the Multi Ergotable comprises two boomerangs, which may be easily fitted in the cut-outs of the tabletop. Included is also a moon-shaped boomerang to be used when a cut-out is required on one side of the table only. Standard brake wheels ensure optimum stability and mobility of the table.

## ST-TABLES HEIGHT-ADJUSTABLE

For comfort and safety

HeightAdjustableDesks.com

# ROPOX

BETTER WAYS TO BETTER DAYS

Ropox A/S

Ringstedgade 221  
DK-4700 Naestved  
Tel. +45 5575 0500  
Fax +45 5575 0550  
info@ropox.dk  
www.ropox.com

# ST-TABLES

The flexible ST-tables take individual requirements as well as various applications regarding seated and/or standing work into consideration.

The tables have no inconvenient cross brace and therefore, they are very suitable for wheelchair users. In addition the tables are accessible from both sides.

The tables are infinitely adjustable in height. The adjustment is done with effortless ease by means of a detachable handle. The current height is shown on a scale on the telescopic legs. All of the tables are delivered with adjusting screws. The mounting of brake wheels will increase the height of the table by 8 or 9 cm.

The ST-tables are available with tabletops in various designs and can be equipped with accessories such as adjustable edge bar, supporting ruler, built-in steel-plate or an additional top with boomerang.

The tabletops are surfaced with a mat and non-reflecting laminate in beech finish, that enables weak-sighted persons to distinguish objects on the tables. The colour of the frame is white. The frame and the tabletop only need minimal maintenance.



## ERGOTABLE ST

The Ergotable ST is available in three heights, and in measurements of 90x60 cm, 120x60 cm and 90x90 cm. The tabletops B, C, D, E can be tilted stepwise up to 54°. If a tilt function up to 74° is required, see accessories Art. No.20-16510.

ERGOTABLE ST 90 X 60 CM					
Height	A	B	C	D	E
48-68 cm	20-16010	20-16011	20-16012	20-16013	20-16014
56-84 cm	20-16020	20-16021	20-16022	20-16023	20-16024
64-92 cm	20-16030	20-16031	20-16032	20-16033	20-16034

ERGOTABLE ST 90 X 90 CM		
Height	A	B
48-68 cm	20-16310	20-16311
56-84 cm	20-16320	20-16321
64-92 cm	20-16330	20-16331

ERGOTABLE ST 120 X 60 CM						
Height						
48-68 cm	20-16210	20-16211	20-16212	20-16213	20-16214	20-16216
56-84 cm	20-16220	20-16221	20-16222	20-16223	20-16224	20-16226
64-92 cm	20-16230	20-16231	20-16232	20-16233	20-16234	20-16236

## BOOMERANG SYSTEM

As a standard the ST-additional tops with cut-out are delivered with a Boomerang size Ø40 cm. The size of the cut-out can be changed by means of Boomerangs in different diameters. Just loosen four screws, pull the Boomerang out of the cut-out, push in another Boomerang and retighten the four screws. A half-moon Boomerang is also available to obtain a straight front edge of the table.

The Boomerangs are mounted with four thumb screws.



Size	
Ø 22 cm	20-30521
Ø 26 cm	20-30522
Ø 30 cm	20-30523
Ø 34 cm	20-30524
Ø 40 cm	20-30525
Ø 46 cm	20-30526



ACCESSORIES, ERGOBORD ST						
Edge bar	Built-in steel-plate incl. 4 magnets	Built-in steel-plate incl. 4 magnets	Supporting ruler	Additional top with boomerang Ø 40 cm	Brake wheels without height increase for tables without cut-out/add.top	Brake wheels without height increase for tables with cut-out/add.top
20-50146 46 cm	20-50201 90x60 cm	20-50206 120x60 cm	20-50060 60 cm	20-16520 90 cm		
20-50156 56 cm	20-50202 60x60 cm	20-50207 90x90 cm	20-50090 90 cm	20-16527 120 cm	20-16560	20-16565
20-50176 76 cm	20-50203 60x50 cm					
20-50196 96 cm						
	Friction handle	Tilt fitting	Handle in front	Briefcase hook	Breakwheels, set	
	20-97110	20-16510	20-16500	20-16505	20-50300 + 9 cm	
					20-50340 + 8 cm	



## GROUP TABLE ST

The Group table ST is available in two heights, and with rectangular tabletops, 165x90 cm and 200x100 cm and with an oval tabletop 240x110 cm.

GROUP TABLE ST			
Height			
56-84 cm	20-18116	20-18120	20-18124
64-92 cm	20-18216	20-18220	20-18224

ACCESSORIES	
Breakwheels, set	
+ 8/9 cm	20-50300 + 9 cm
	20-50340 + 8 cm



COLUMN TABLE ST		
Tabletop	Without rotation Height 64-80 cm	With rotation Height 65-81 cm
Ø 100 cm	10-25300	10-25310
Ø 120 cm	10-25302	10-25312

## COLUMN TABLE ST

The Column table ST with or without rotation is a flexible model that accommodates to various applications and demands. A wheel has been integrated into one of the feet, so that the table can quickly and easily be moved.



As an accessory equipment a friction handle is available. The handle protects cogwheels, etc. from being damaged at violent use.

