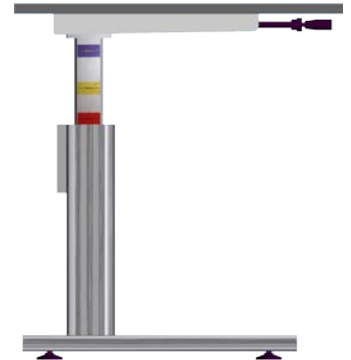


Height Adjustable Desks.com

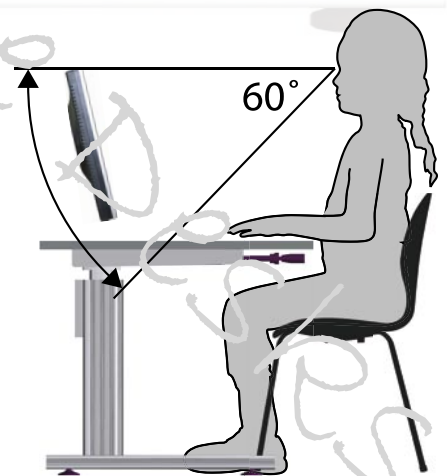
Height adjustable furniture for
schools and education



Size mark calibration



Retractable adjustment crank



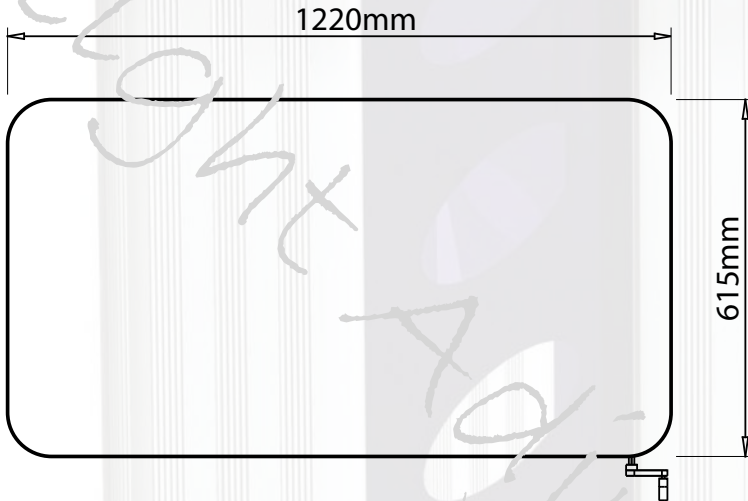
Good posture setting

Manufacturer is a



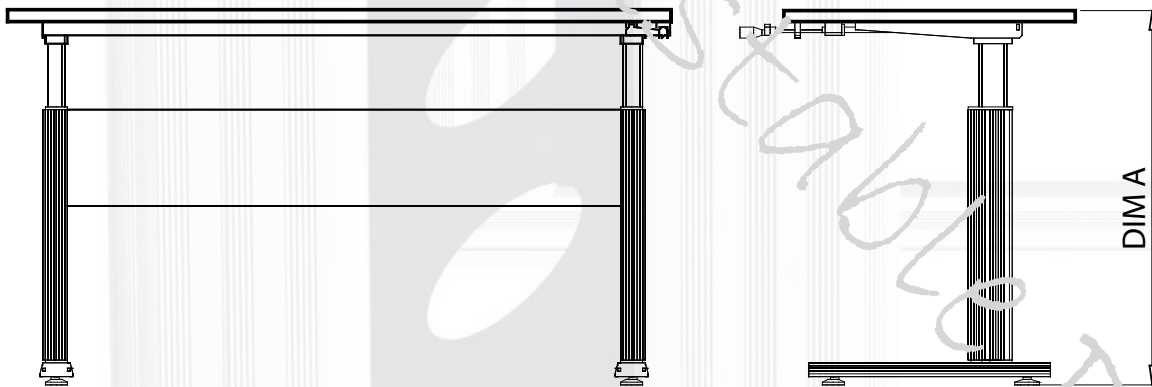
Technical Information

Height adjustable desk for schools and education



8 Yg_ 9X' % (Sizemark 2 to 4)		
Part No	Dim A	Finish
E6201	510mm - 655mm	Grey
E6202		Blue
E6203		Beech

8 Yg_ 9X' & (Sizemark 5 to 7)		
Part No	Dim A	Finish
E6204	650mm - 910mm	Grey
E6205		Blue
E6206		Beech



9Xi WjcbU' < Yj[\h5X† gUVY' 8 Yg_

DYg_ 9X' % allows a single desk to meet the size requirements for sizemark 2,3 and 4 (key stage 1 and 2,) while 8 Yg_ 9X' & meets the size requirements for size mark 5,6 and 7 (key stage 3 and 4)

After Sales:

9Xi WjcbU' 8 Yg_ is guaranteed against component failure for 5 years during normal use.

Design and specifications subject to changes without notice.

Manufacturer is a

